

13 TV TUNER UNIT SECTION (MODEL: D)

13.1. DISASSEMBLY/ASSEMBLY PROCEDURES

13.1.1. Disassembly Flowchart

This flow chart indicates the disassembly steps of the cabinet parts and the P.C. Boards in order to gain access to item (s) to be serviced.

When reassembling, perform the step (s) in the reverse order. Bend, route and dress the wires as they were originally.

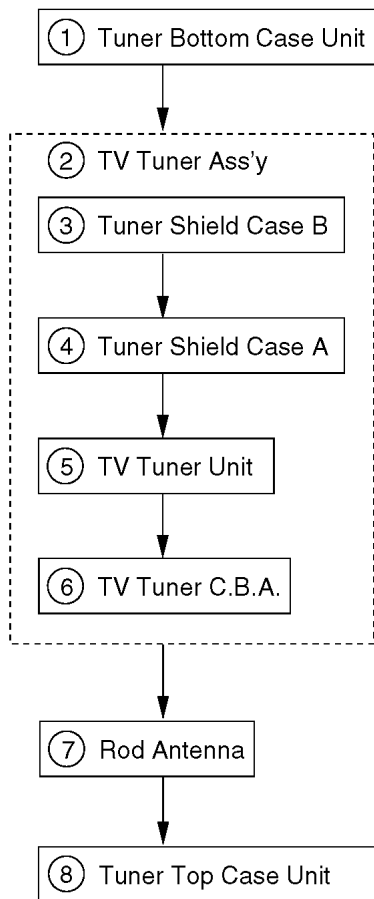
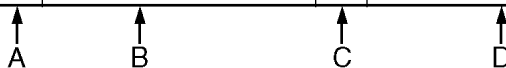


Fig. DT1

13.1.2. Disassembly Method

STEP /LOC. No.	PART	Fig. No.	REMOVE
①	Tuner Bottom Case Unit	DT2	6(S-1)
②	TV Tuner Ass'y	DT2	(S-2), lug terminal
③	Tuner Shield Case B	DT2	Unsolder
④	Tuner Shield Case A	DT2	Unsolder
⑤	UHF/VHF Tuner/TV Demodulator Unit	DT2	Unsolder
⑥	TV Tuner C.B.A.	DT2	-----
⑦	Rod Antenna	DT2	-----
⑧	Tuner Top Case Unit	DT2	-----



How to read chart shown above:

A: Order of Procedure steps.

When reassembling, perform steps(s) in reverse order.

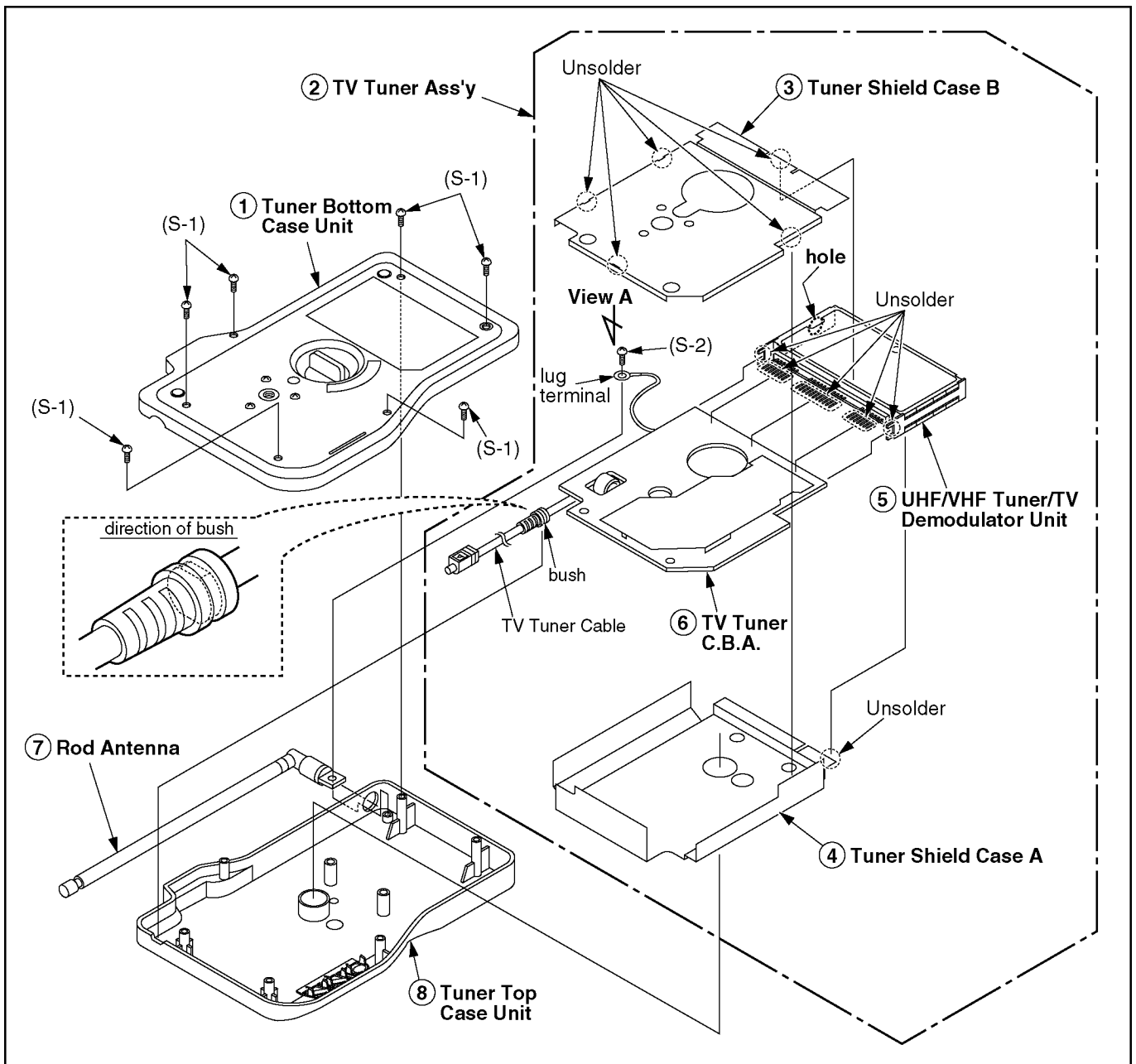
These numbers are also used as the identification (location) No. of parts in Figures.

B: Part to be removed or installed.

C: Fig. No. showing Procedure or Part Location.

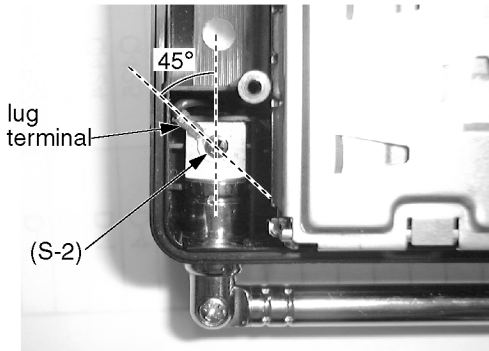
D: Identification of part to be removed, unhooked, unlocked, released, unplugged or unsoldered.

6(S-1) = 6 Screws (S-1)



Reassembly Notes:

1. When installing TV Tuner C.B.A. to Tuner Top Case Unit, install the lug terminal correctly as shown.



View A

- 2. When installing TV Tuner C.B.A. to Tuner Top Case Unit, place TV Tuner Cable so that the bush on the Cable is in the correct direction as shown above.
- 3. When installing the UHF/VHF Tuner/TV Demodulator Unit, position it on TV Tuner C.B.A. so that the **hole** of UHF/VHF Tuner/TV Demodulator Unit is in the position as shown above.

Fig. DT2